

Subject:

Make:	Model:	Model Year:		VIN:		Engine:	Transmission:
		from	to	from	to		
Opel, Vauxhall	Vivaro-B	2015	2016				

Option (RPO)	Auxiliary Parking Heater with Timer (RPO-Code: XBER) Auxiliary Parking Heater with Remote Control (RPO-Code: XBES)
Condition	The parking heater does not work or works only for 10 minutes. Trouble code B1425 (08) might be set.
Cause	The parking heater controller recognizes that the battery voltage reached a critical state and shuts down the parking heater to avoid a "Walk Home Failure" - non-start due to low battery. If the parking heater control detects too low battery voltage for more than 25 seconds, the parking heater will cease to operate.
Production Solution	Parking heater kit with wiring change and calibration as of 14th April 2016 at Vehicle Conversion Centre.

Correction

In case of customer complaint, order the wiring harness conversion kit part number 13453040 and install according to the following working procedure.

Note: Please inform the customer that the battery might be discharged completely and the engine will not be started if using the parking heater with turned off engine.

Explain to the customer that the parking heater is powered by the vehicle battery. To ensure that the battery charge state is maintained, please advise the customer that the heater run time should be followed by an equal vehicle run time.

For Example: If the parking heater is run for the maximum 30 minutes (which is the maximum allowed) then the vehicle must be driven for (minimum) 30 minutes before the parking heater can be used again. Failure to maintain the battery charge state may result in Walk Home Failure due to discharged battery.

A software update is necessary to avoid a battery discharge.

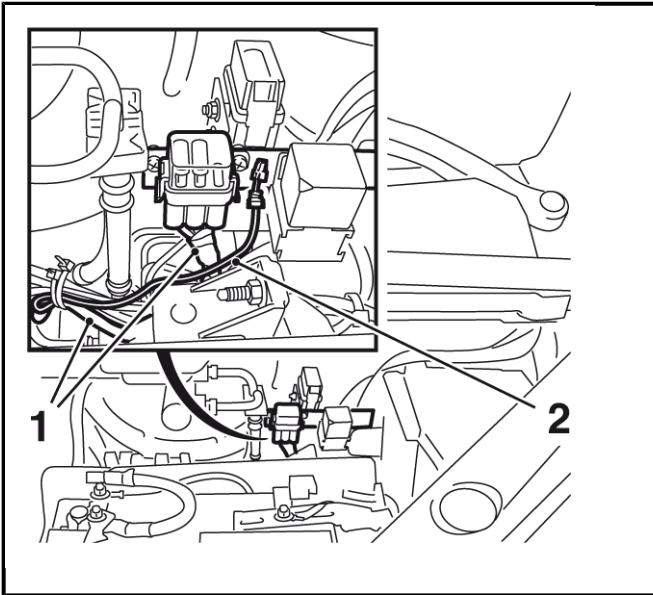
Note: To perform the software update Special Tool EL50883 and OBD adaptor 13453042 are needed, both are available from the Special Tool WebShop - <https://gmtoolsandequipment.com/en-US/Pages/Home.aspx>.

Without carrying out the software update, increased risk of Walk Home Failure as described in the first note is highly possible. Please ensure that the special tools listed in chart below are available.

Working Procedure:

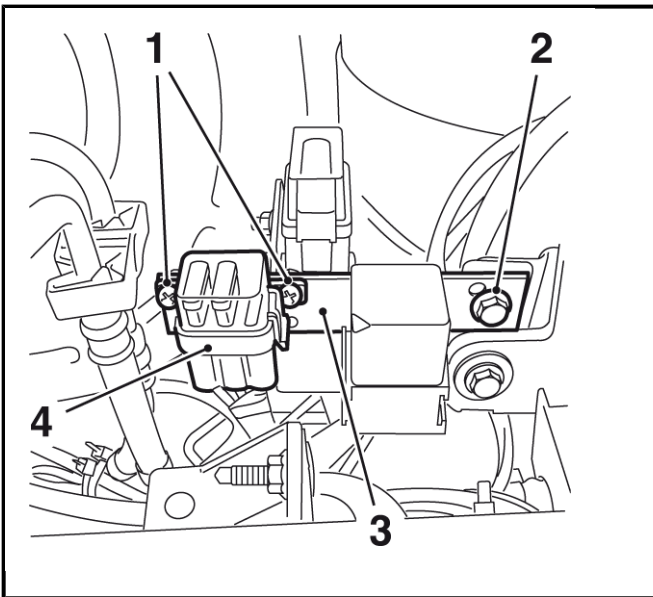
A) — Auxiliary Parking Heater Wiring Harness Rework

1. Remove the battery cover and disconnect the battery negative lead.
2. Route the small terminal of the conversion cable (2) along the auxiliary heater wiring harness (1) from engine compartment under the vehicle.



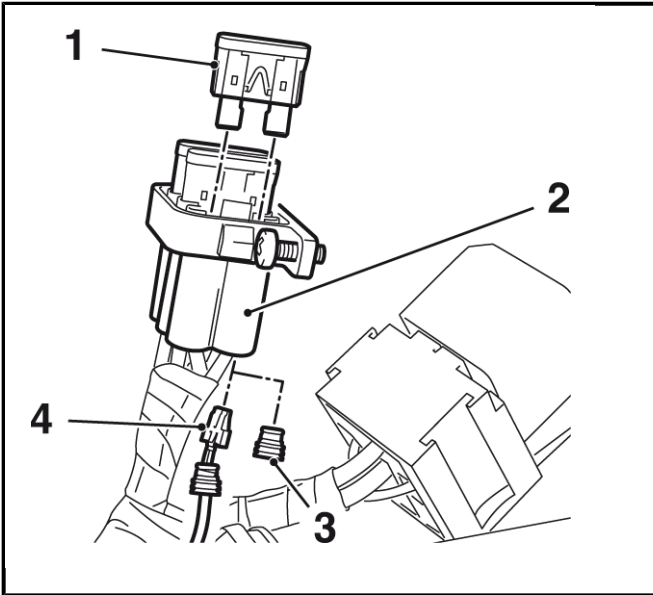
4631068

3. Remove the bolt (2) and the counter nut from the fuse housing relay bracket (3).
4. Remove the fuse housing (4) from the relay bracket.
 - Remove the 2 bolts (1) and the 2 counter nuts from the fuse housing.
5. Remove the fuse housing cover.



4631073

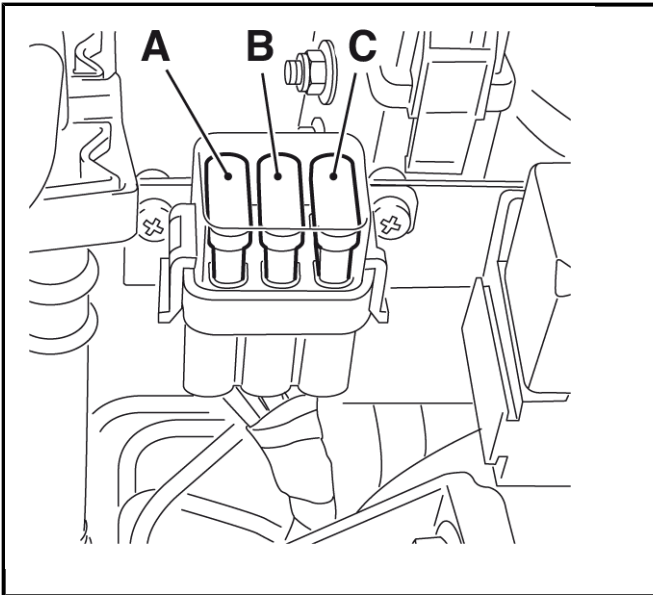
6. Remove and discard the blind plug (3) from the right outer fuse housing slot (2).
7. Install the wide terminal of the conversion cable (4) into the right outer fuse housing slot.
8. Install the 20A fuse (1) into the right outer fuse housing slot.



4631075

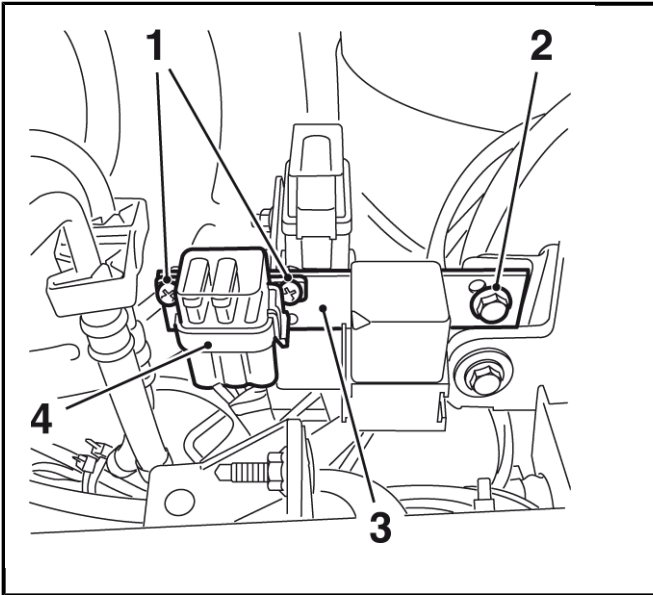
9. Ensure the fuses are installed in correct order.

- A= 5A
- B= 25A
- C= 20A (fuse from the conversion kit)



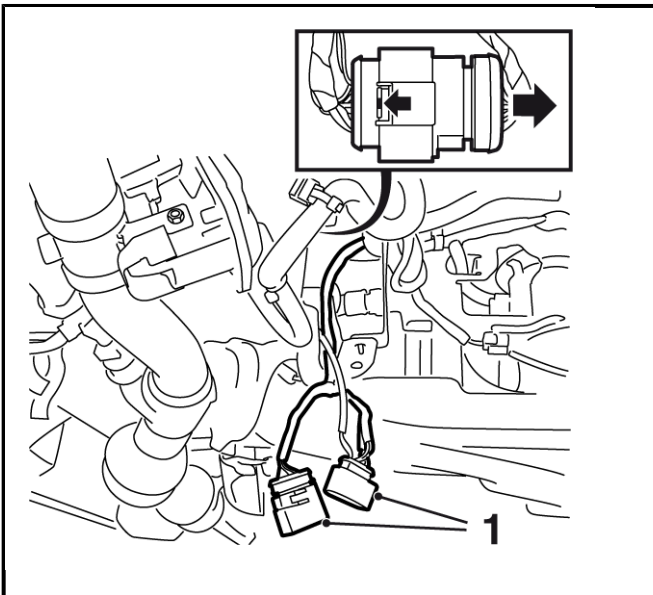
4631081

10. Fix the conversion cable to the wiring harness with cable ties.
11. Install the fuse housing (4) to the relay bracket (3).
12. Install the 2 bolts (1) and 2 counter nuts to the fuse housing .
13. Install the bolt (2) and counter nut to the fuse housing relay bracket.



4631073

14. Raise the vehicle to full height.
15. Locate the auxiliary parking heater under the vehicle above the exhaust heat shield.
16. Locate the 2 auxiliary parking heater electrical connectors above the left exhaust heat shield side.
17. Disconnect the 2 wiring harness electrical connectors (1) from the 2 auxiliary parking heater electrical connectors.
 - Push left the electrical connector lock (left arrow) and disconnect the connector (right arrow).
18. Pull out the 2 wiring harness electrical connectors from the left exhaust heat shield side.



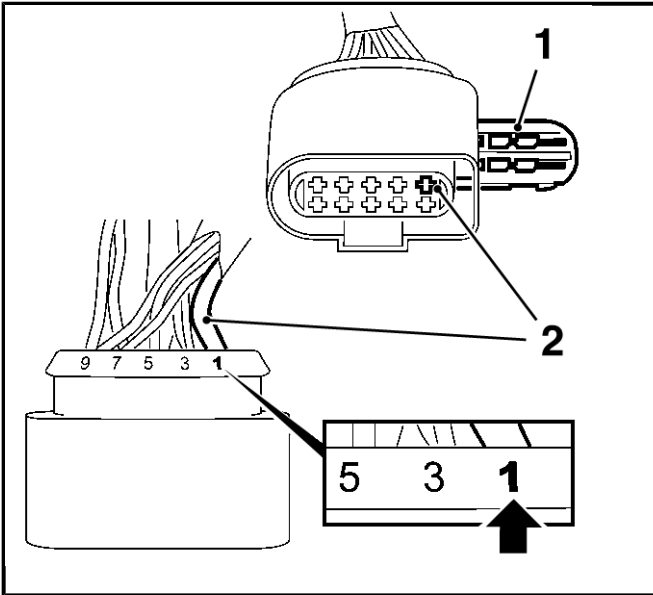
4631091

19. Unlock the electrical connector terminals of the female wiring harness electrical connector – vehicle side.
 - Remove the lock bar (1).
20. Remove the present terminal from pin 1 (2).

Note: Use special tool *MKM-923-9* Crimping Tool

Note: Do not remove the terminal of the auxiliary parking heater electrical connector.

 - 20.1. Cut off the terminal and fold the cable back.
 - 20.2. Isolate the folded cable end and fix to the wiring harness.



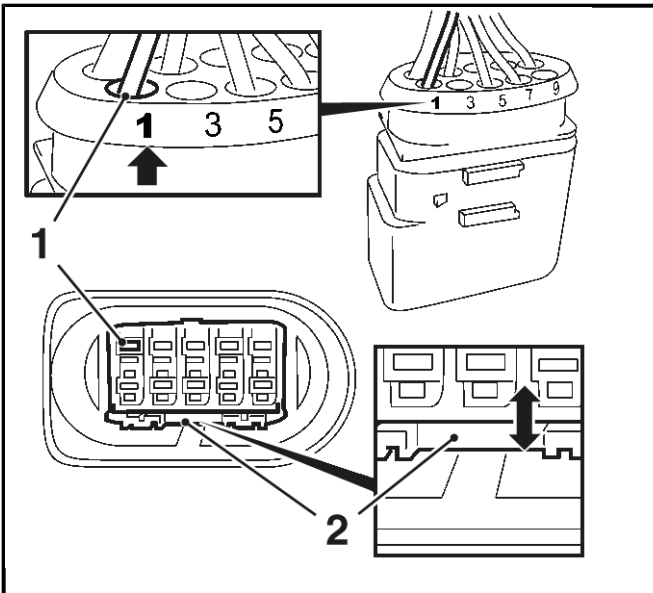
4631098

21. Lock the wiring harness electrical connector terminals.
 - Install the lock bar of step 19.
22. Unlock the electrical connector terminals of the male wiring harness electrical connector – vehicle side.
 - Move the lock bar (2) upwards (arrow).
23. Remove the present terminal from pin 1 (1).

Note: Use special tool *MKM-923-18* Crimping Tool

Note: Do not remove the terminal of the auxiliary parking heater electrical connector.

- 23.1. Cut off the terminal and fold the cable back.
- 23.2. Isolate the folded cable end and fix to the wiring harness.
- 23.3. Move the lock bar downwards (arrow).

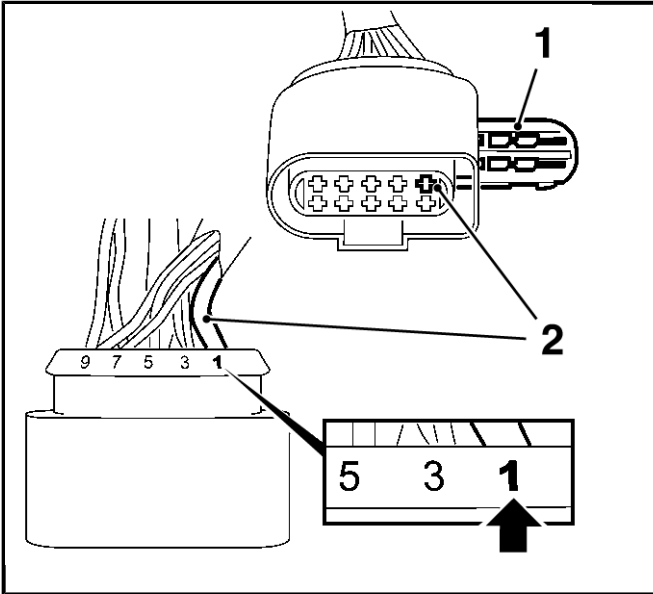


4631959

24. Continue to route the conversion cable along the present vehicle wiring harness to the female wiring harness electrical connector – vehicle side.
25. Install the conversion cable terminal (2) into the pin 1 of the female wiring harness electrical connector – vehicle side.

Note: The pin 1 of the male wiring harness electrical connector must stay disconnected/blind.

26. Lock the wiring harness electrical connector terminals.
 - Install the lock bar (1).



4631098

27. Fix the conversion cable with minimum 6 cable ties to the present vehicle wiring harness as necessary.
28. Connect the wiring harness electrical connectors to the auxiliary parking heater electrical connectors.
29. Ensure that the conversion cable does not get in contact with the exhaust heat shield or other exhaust parts.
30. Lower the vehicle.
31. Install the battery cover and connect the battery negative lead.
32. Program volatile memories.
33. Continue with **B) — Auxiliary Heater Programming**

Note: The software update is still in development.

B) — Auxiliary Heater Programming

1. Prepare the *EL-50883*-Apark heater diagnostic tool with OBD adapter.
2. Download and install the diagnostic software.

Note: Compatible with Windows 7 service pack 1 32/64 bit.

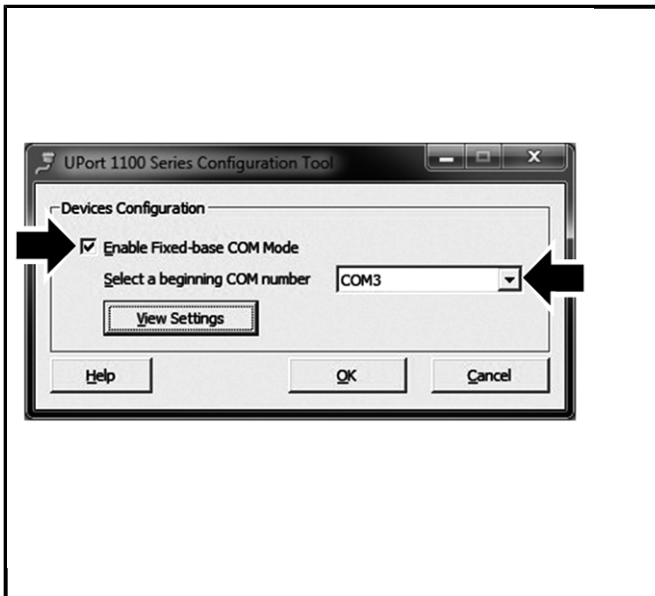
Note: The package is about 120 MB large and might take considerable download time.

- 2.1. The entire software package can be found in the TIS2Web newsletter.

Navigate to the Service Programming System (SPS) and to the appropriate section. Click in the document on the button "Download" and select any directory and save the archive temporarily.

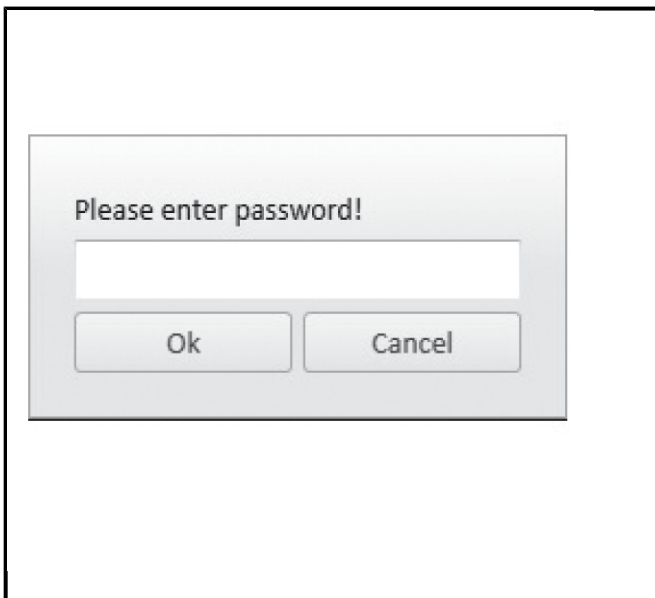
3. Configure the COM Port.
 - 3.1. Select in Windows: Start-> All Programs-> MOXA UPort 1100 Series Windows Driver-> UPort 1100 Series Configuration Utility.
 - 3.2. Activate check box "Enable Fixed-Base COM Mode" (arrow).
 - 3.3. Select an unused COM Port in the drop down menu (arrow) and confirm with "OK".

Note: Picture shows an example COM Port number which does not guarantee that it is the correct one for your system.



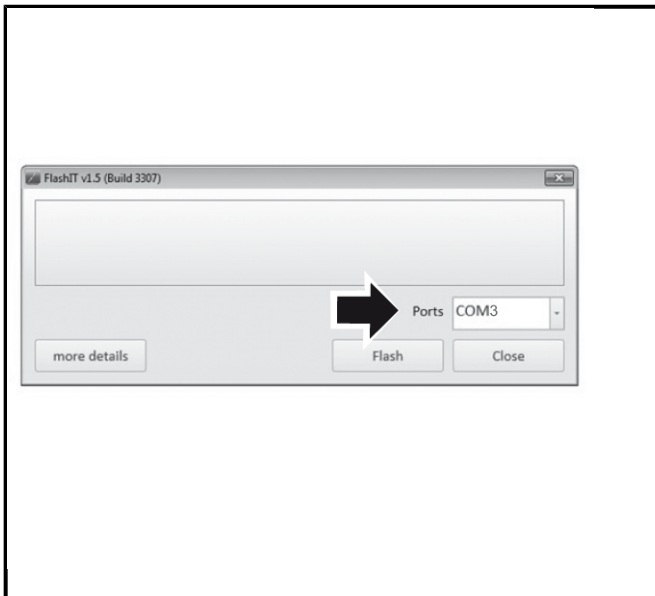
4630967

4. Go into the directory of the installed software according to step 3.1 and start "FlashIT.exe".
5. A password request will appear. Enter "Opel" into the field and confirm.



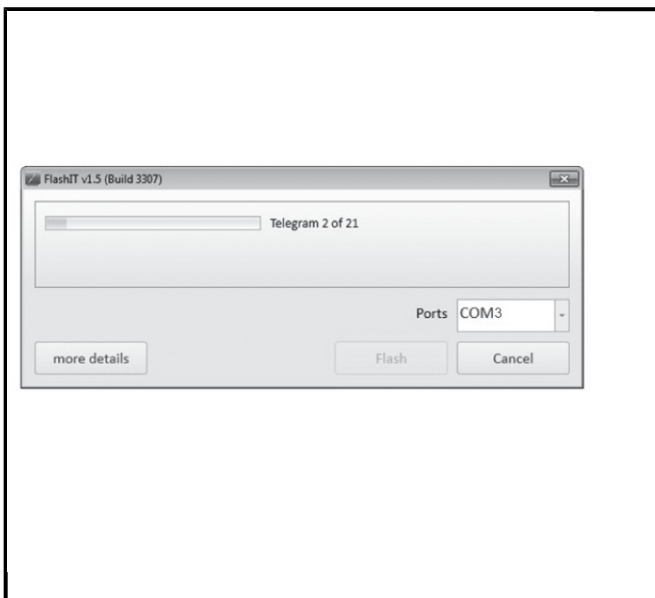
4630968

6. Select in the drop down menu the same COM Port that was selected in step 3.3.



4631108

7. Connect the *EL-50883-Apark* heater diagnostic tool to OBD adapter, computer and vehicle.
8. A status window will appear as soon the programming will start.



4631112

Note: The following errors might be occur:

- "Access to the port 'COM5' is denied"
 - ⇒ The COM Port is already in use by an other application. Please close the other application.
 - "Couldn't create connection to ECU. Maybe a wrong Port is choosen or the ECU is not wired ready for connection!"
 - ⇒ Check connection to the heater and ensure that the heater gets system voltage.
 - "The defined Softwrenumber(s) is/are not valid for this ECU!"
 - ⇒ The heater is not compatible to this software.
 - In some cases it might be possible that an error interrupt the programming process.
 - ⇒ In such a case, restart the FlashIT software according to step 4.
10. A confirmation window "The Flash-Process was finished successfully!" will appear when the programming will be finished successful.



4631116

Special Tool Name:	Special Tool Number:
Parking Heater Diagnostic Tool	EL-50883
OBD Adaptor	13453042
Crimping Tool	MKM-923-9
Crimping Tool	MKM-923-18

Service Part Name:	Service Part Number:	Parts Quantity:
Wiring Harness Conversion Kit	13453040	1

Labor Time:	Description	Hours:
4484058	Auxiliary Heater Wiring Harness Rework and Programming	0.6
*) 4484048	Auxiliary Heater Wiring Harness Rework	0.5
*) 2884038	Auxiliary Heater Programming	0.3

*) Labour code can not be charged in combination with other labor codes at same time.

The regular Warranty and Policy Procedures will apply.

Bulletin Version	
-------------------------	--